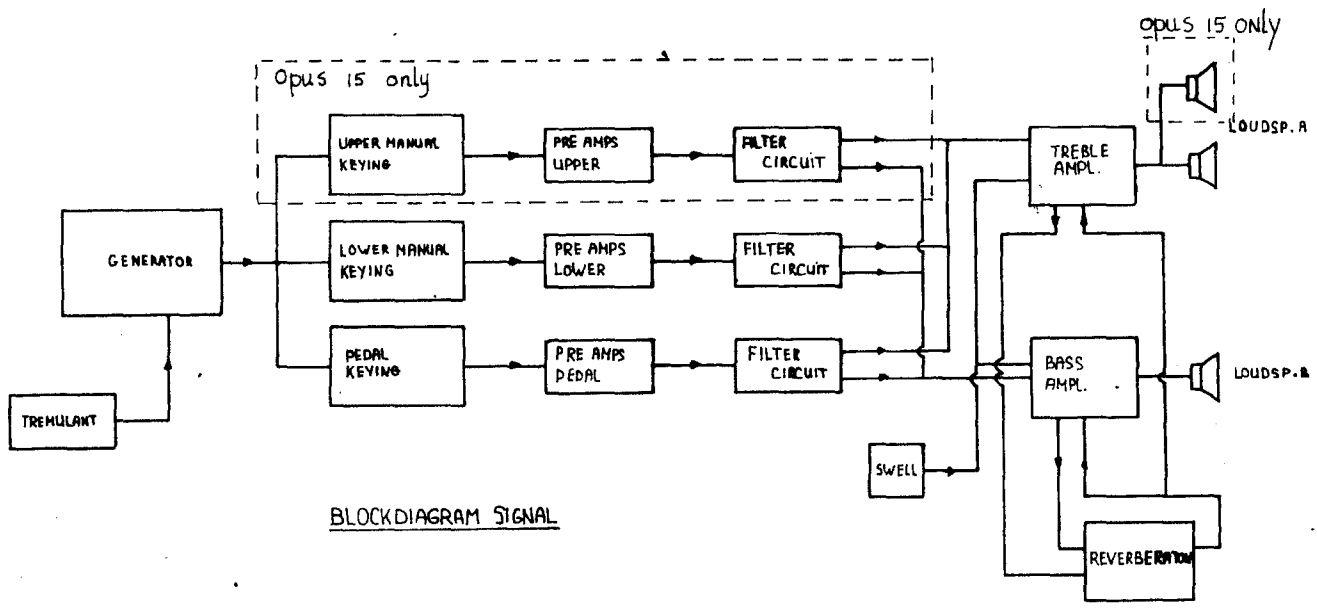
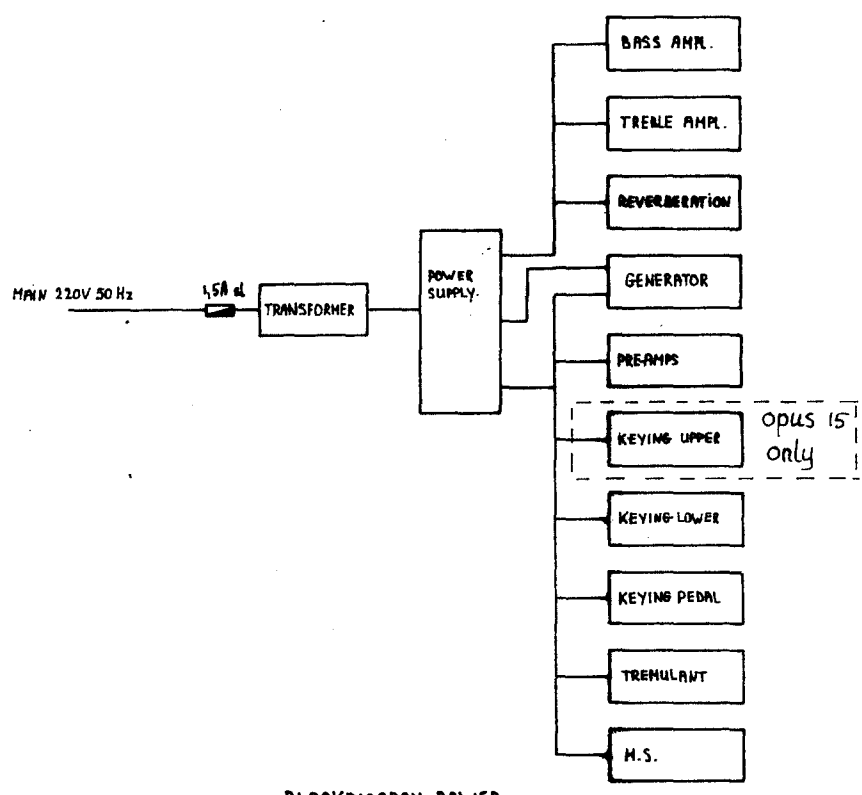


=====
S C H E M A T I C D I A G R A M S
J O H A N N U S
O P U S 5
=====
alterations reserved

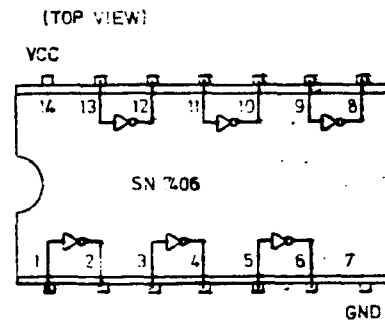
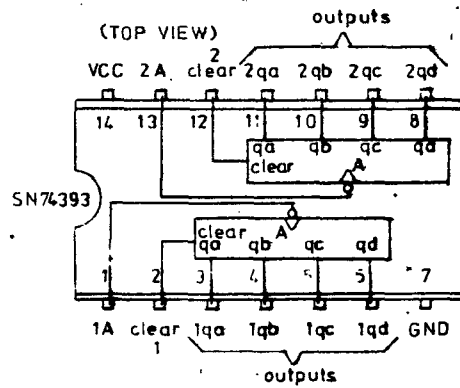
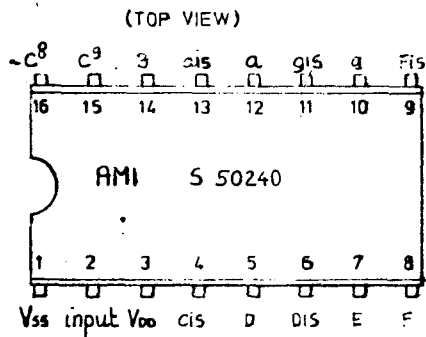
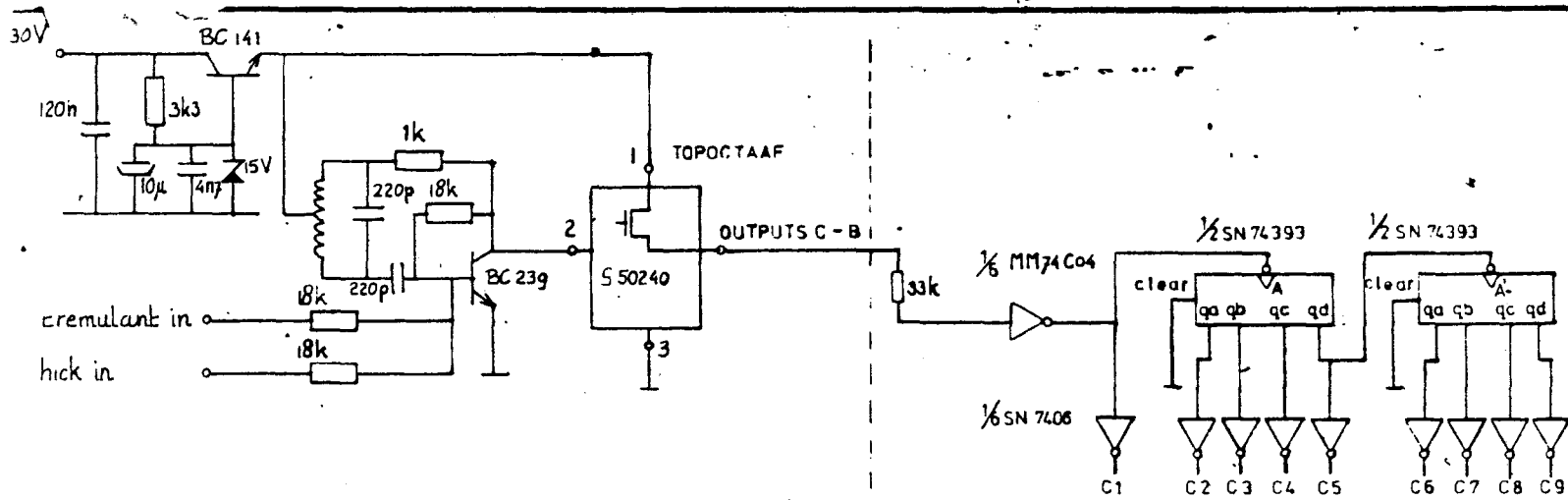


BLOCKDIAGRAM SIGNAL



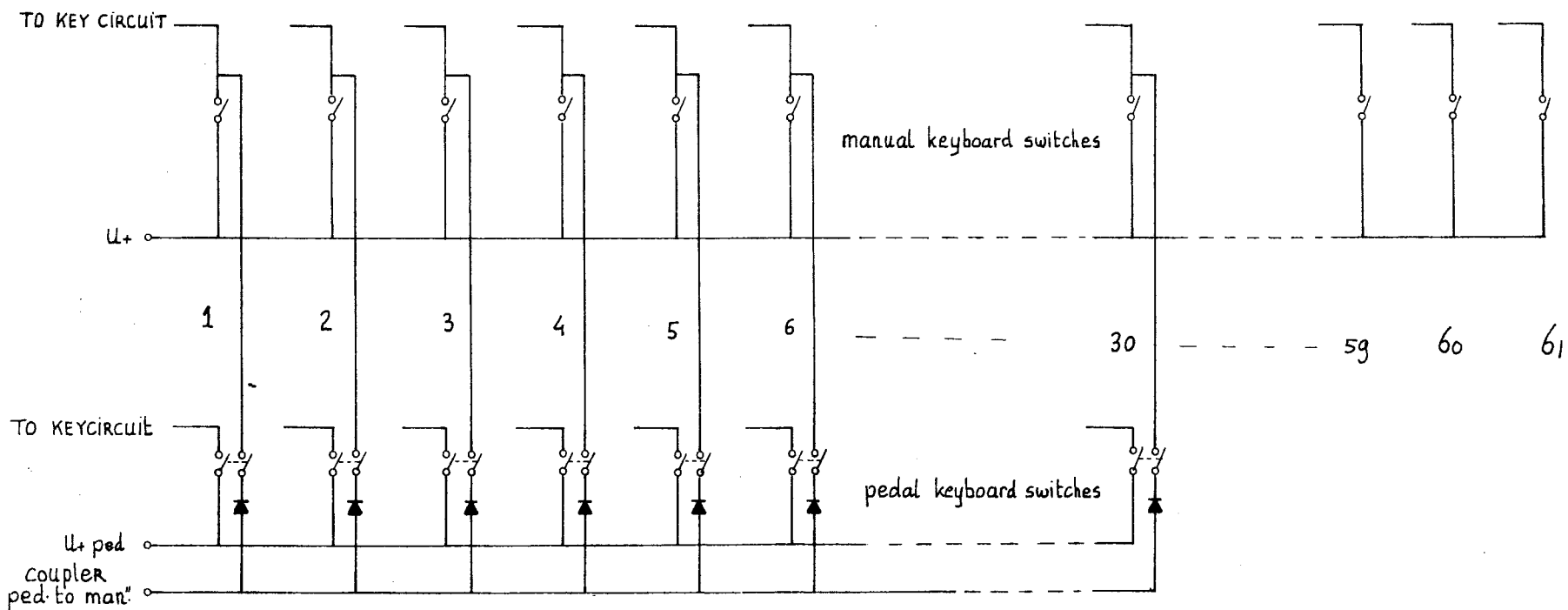
BLOCKDIAGRAM POWER

SIGNAL AND POWER BLOCKDIAGRAM			
DATE	DESIGN	DRAWN	MODIFIED
20-4-'76	J.Versteegt	J.Hiemstra	
			JOHANNUS ORGAN OPUS 5
copyright J. VERSTEEGT		ELECTRONIUM Morsestraat 28 Ede Holland tel:08360-19148	
			1



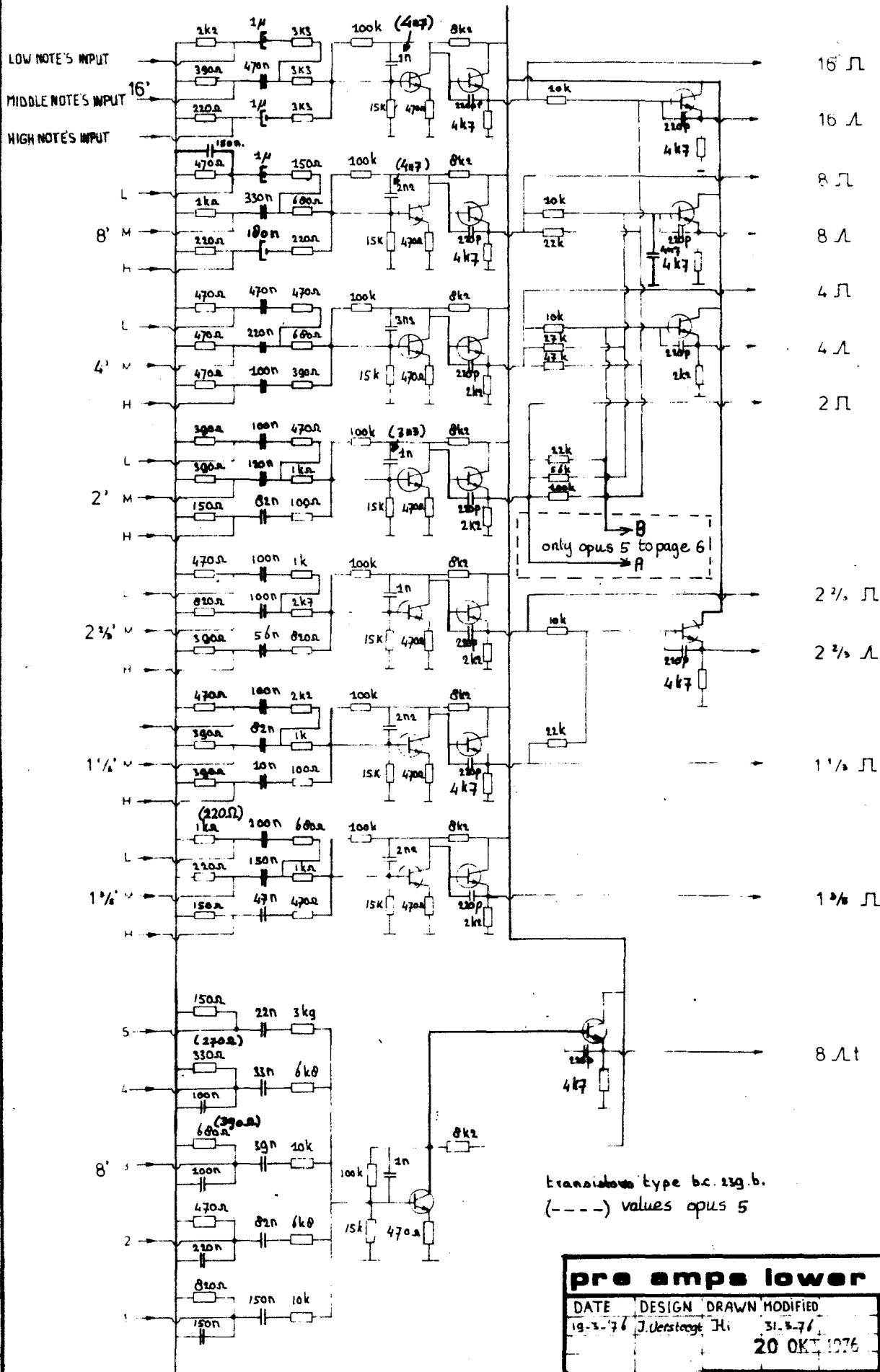
veldig tot dec-77.

GENERATOR AND DIVIDERS				
date	design	drawn		JOHANNUS ORGEL
9-5-77	Leo Ede	T.v. Maanen		OPUS 5 + 15
				ELECTRONIUM
Morsestraat 20 Ede Holland. Tel: 0854-3148				3c



coupler system

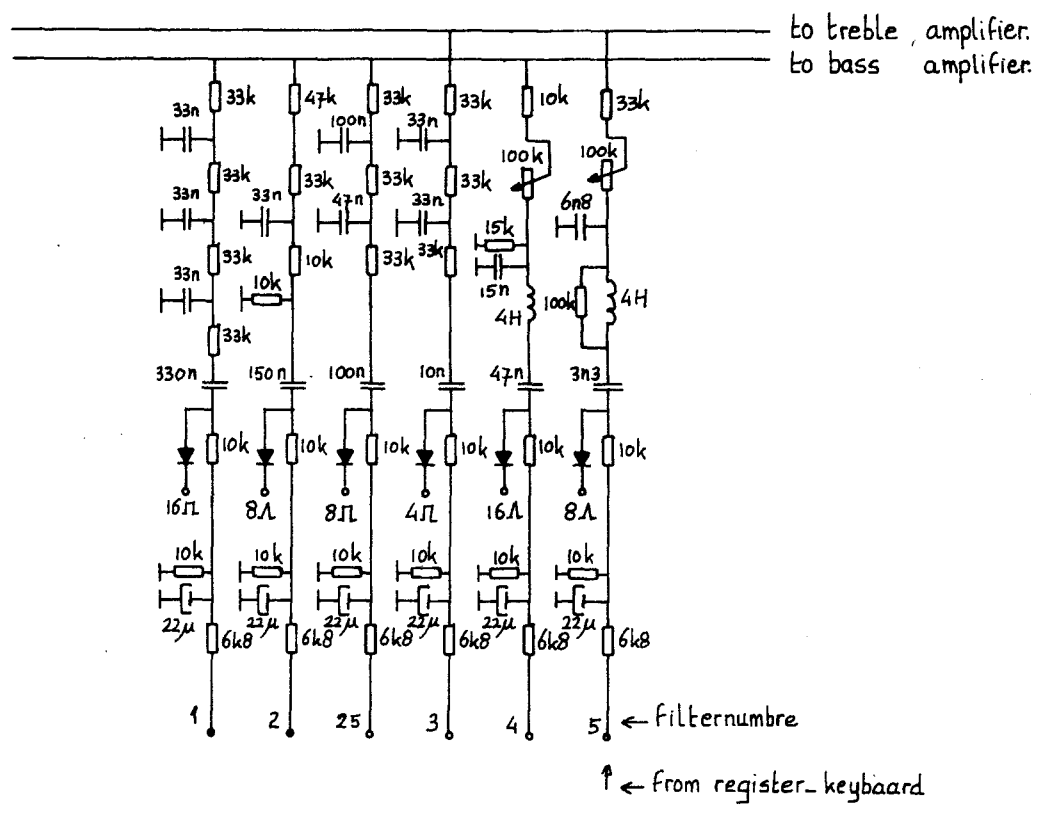
DATE	DESIGN	DRAWN	MODIFIED		JOHANNUS ORGEL
22-6-77	J. Versteeg	T. v. Manne			type: OPLUS 5
ELECTRONIUM b.v.					page
copyright J. Versteeg					5
Morsestraat 28 Ede Holland tel 08380-19148					



transistors type bc. 239.b.
 (---) values opus 5

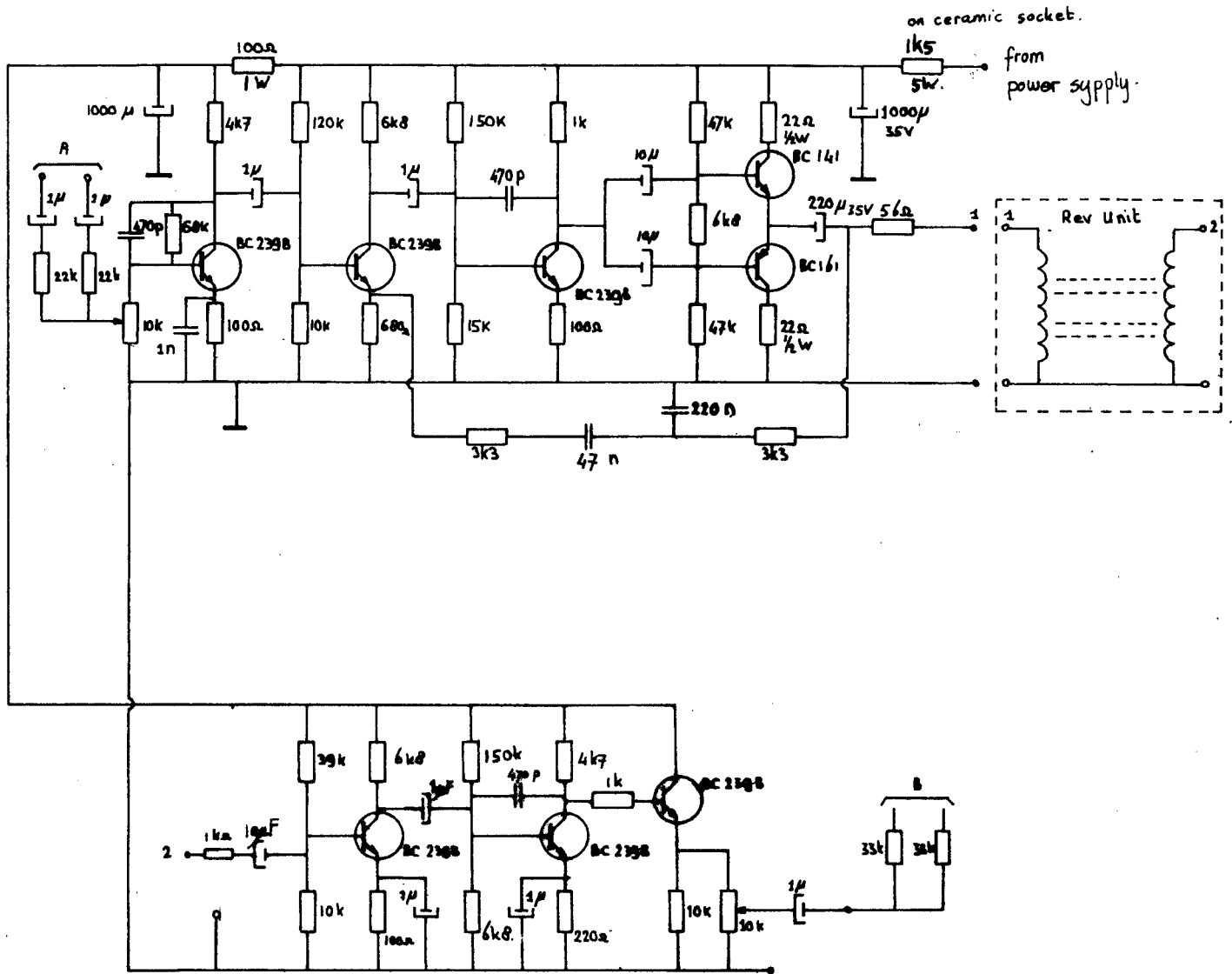
pre amps lower manual			
DATE	DESIGN	DRAWN	MODIFIED
19-3-76	J. Versteeg	H.	31-5-76
			20 OKT 1976
JOHANNUS ORGEL			OPUS 5/15

5 16' SUBBAS
 6 8' PRESTANT
 7 8' GEDEKT
 8 4' FLUIT
 9 16' BAZUIN
 10 8 TROMPET



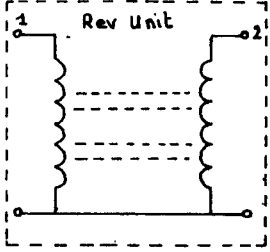
filter circuits pedal

DATE	DESIGN	DRAWN	MODIFIED	JOHANNUS ORGEL
23-6-77	J. Versteeg	J. Versteeg		type OPUS 5
ELECTRONIUM b.v.				PAGE NO.
COPYRIGHT: J. VERSTEEG				8
mersestraat 28 EDE HOLLAND TEL. 0838-1148				



on ceramic socket.

from power supply.



reverberation circuit

DATE 17-3-76 DESIGN J. Versteeg Hl. DRAWN 31.5.76 MODIFIED 20 OKT 1976

JOHANNUS ORGEL TYPE OPUS 5/13

ELECTRONIUM

COPYRIGHT J. VERSTEEGHT

POBLS-BAAT 28 506 HOLLAND TEL. #290-19148

PAGE NO 10

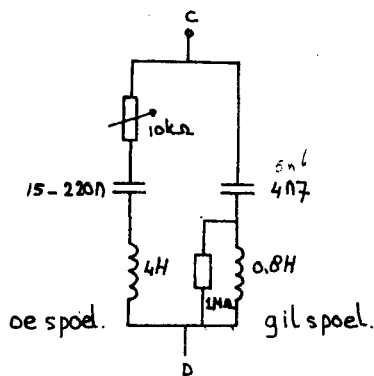
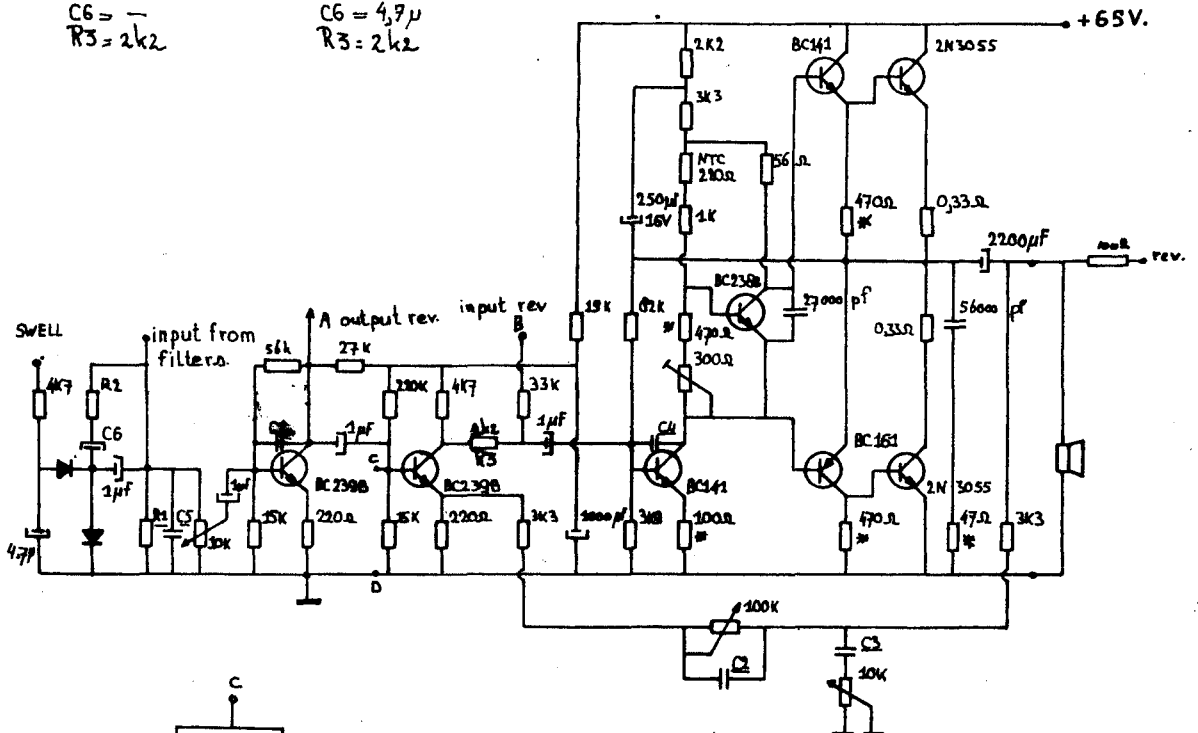
BASS AMPLIFIER

- C1 = 470 PF (4n7)
- C2 = 150NF
- C3 = 330nF
- C4 = 6800PF
- C5 = 1000PF
- R1 = 4k7
- R2 = —
- C6 = —
- R3 = 2k2

TREBLE AMPLIFIER

- C1 = 22nF (1n)
- C2 = 150nF (100n)
- C3 = 150NF (47n)
- C4 = 470PF
- C5 = 1000PF
- R1 = 4K7
- R2 = 220Ω
- C6 = 4,7μ
- R3 = 2k2

mod: 7-10-76 *Blues*

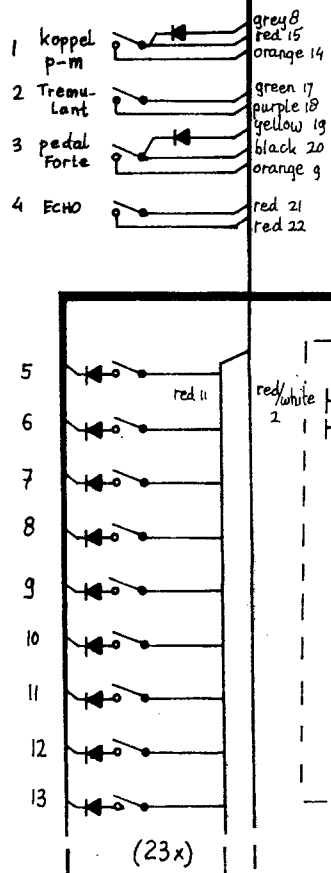


* onceramic sockets.

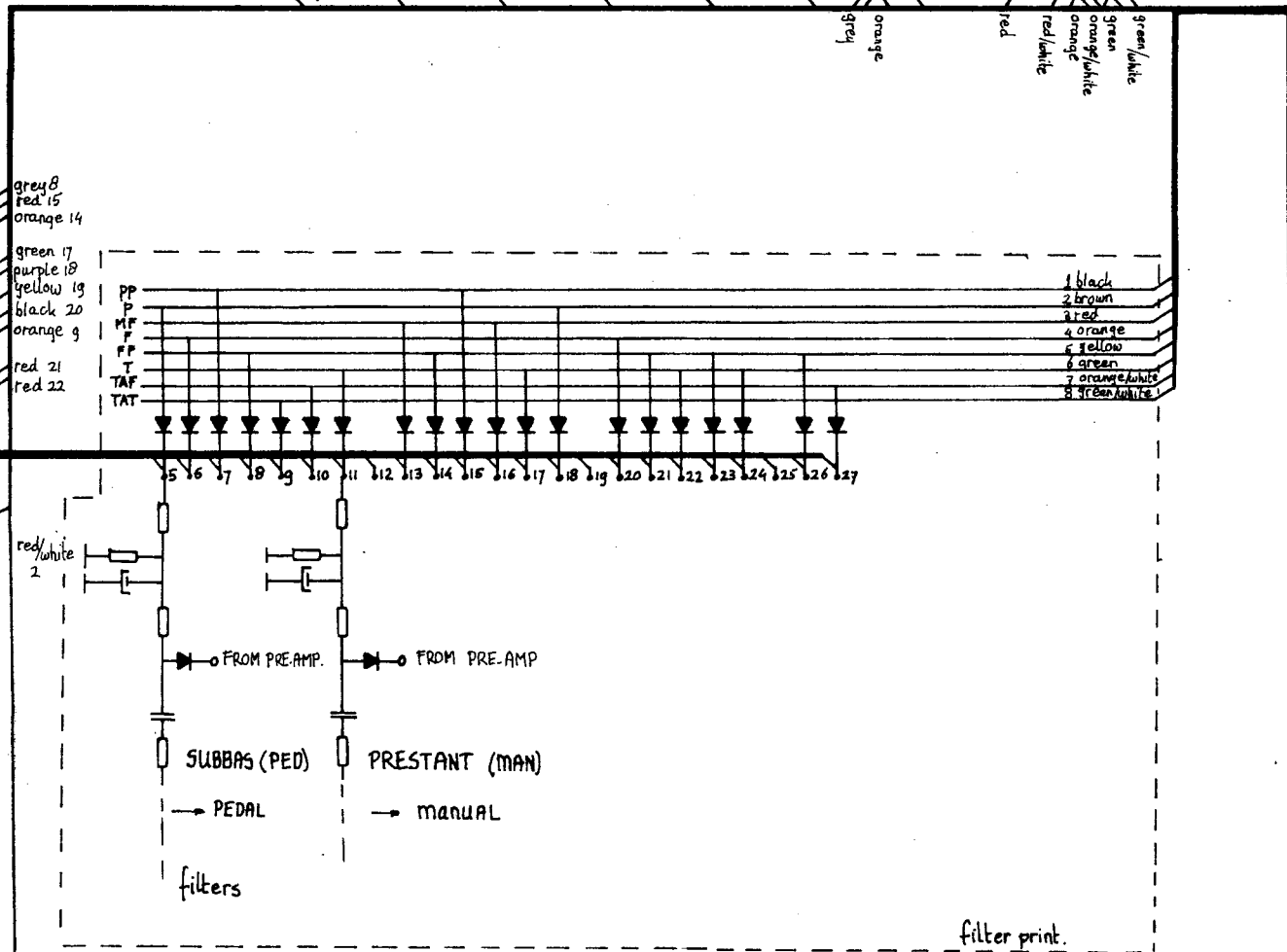
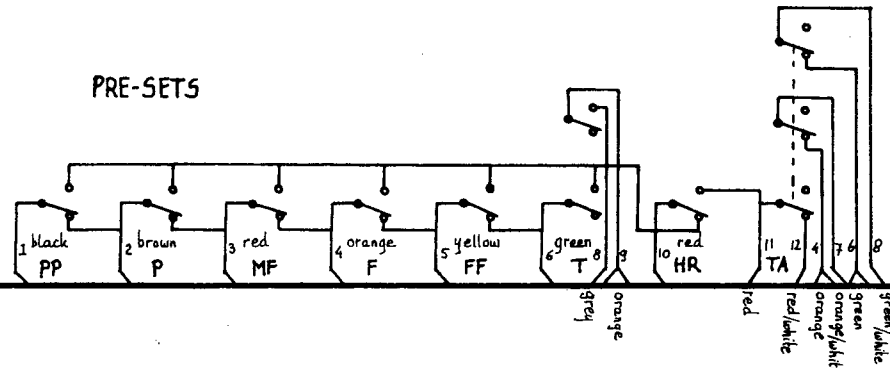
(---) values opus 5

amplifier circuit			
DATE	DESIGN	DRAWN	MODIFIED
15-3-76	J. Versteeg	JH	31-3-76
			20 OKT 1976
			Tv. Manen
21-6-77			TWE
ELECTRONIUM			OPUS 5/15
COPYRIGHT J. VERSTEEG			PAGE NO. 11

MAIN STOPS AND PLAYING AIDS



PRE-SETS

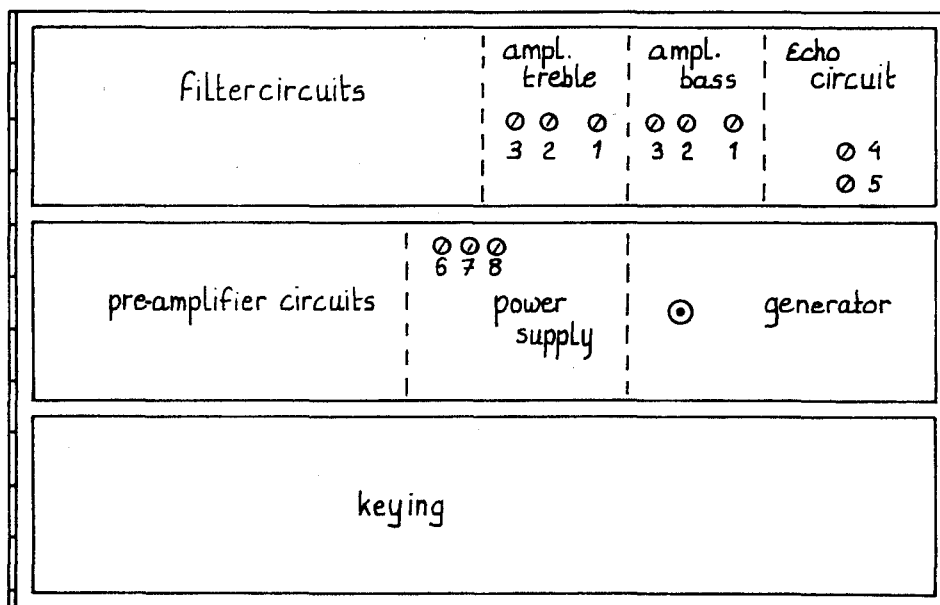


- 65V red 21
- U+ red 10
- Trem purple 18
- Uped yellow 19
- Uman orange 9
- black 23
- green 24
- Gen green 17
- rev. red 22
- volume control: man green 24
black 23
- Ukey man orange 9
- Uped black 20
- Ucoupler upper red 15

MATRIX and PLAYAIDS

DATE	DESIGN	DRAWN	MODIFIED	JOHANNUS ORGEL	type: OPUS 5	page
23-6-77	J. Warsteijn	T. v. Haase				12

ELECTRONIUM b.v.
Copyright: J. Warsteijn, Invoersstraat 28 Edle, Holland Tel. 08586-15148



1. tone control bass
2. tone control treble
3. Volume
4. reverberation time
5. input reverberation
6. tremulant depth
7. tremulant speed
8. Hik depth
9. Tuning

ADJUSTMENTS				
Date	Design	Drawn	Modified	
24-6-77	J Versteeg	T. Mannen		
ELECTRONIUM				page
Copyright JVERSTEEGT morsestraat 25 BDE Holland tel: 020-60-10128				13

JOHANNUS
ORGEL
type: OPUS 5